



RETROpost.

Rounded Trim/FX6 Assembly Guide



IRVIN STEEL
A Division of Iron International Inc.

PLEASE READ ALL INSTRUCTIONS BEFORE BEGINNING INSTALLATION. These instructions are provided to prevent problems caused by common errors in assembly. The manufacturer and/or distributor are not responsible for any failure resulting from improper assembly. Moreover, all warranties are void for failure to follow these assembly instructions.

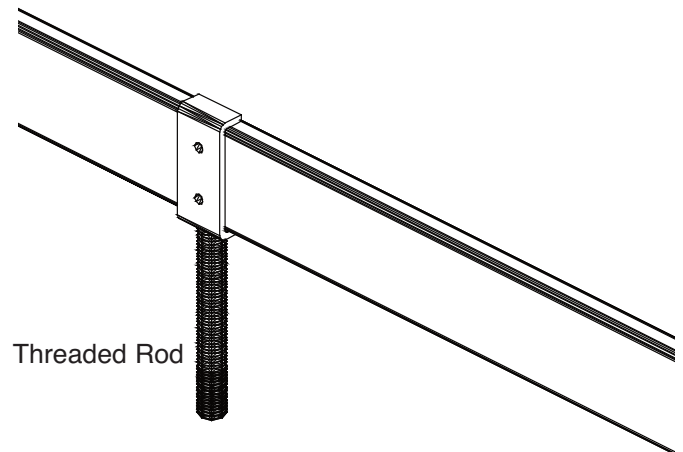
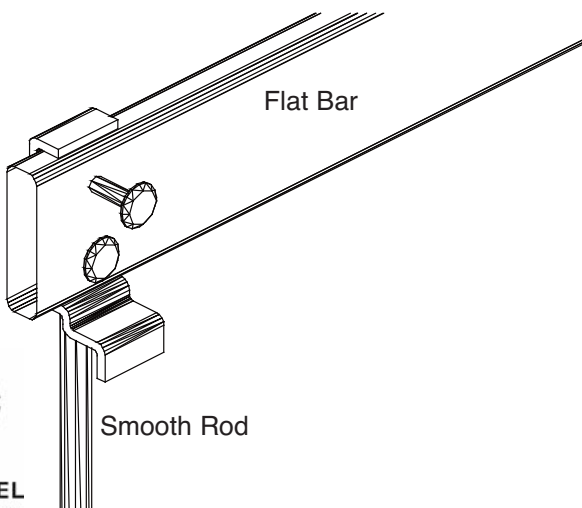
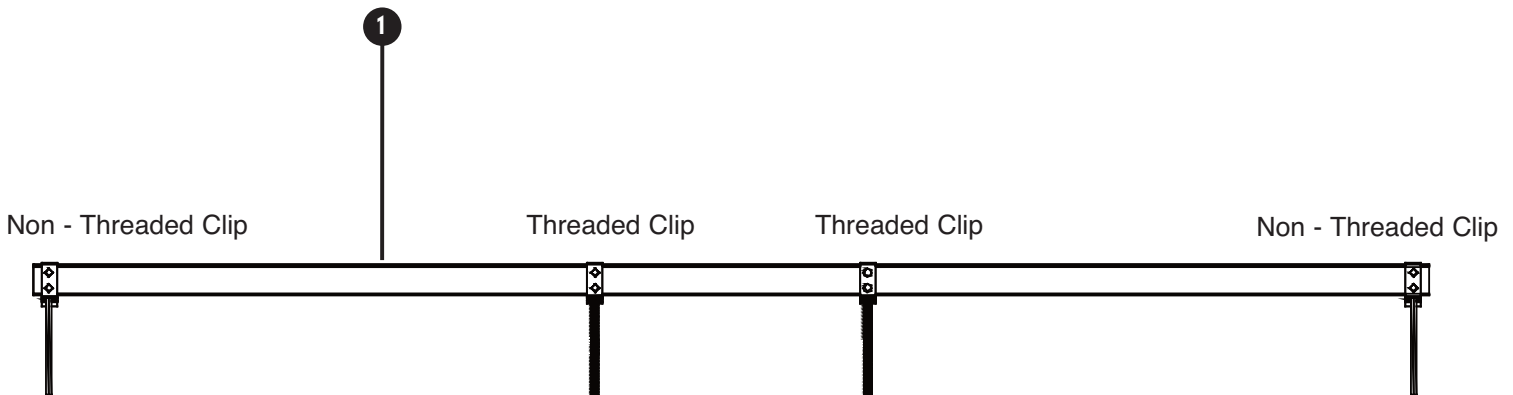


WHEN CUTTING OR DRILLING FIBERGLASS OR METAL PRODUCTS, ALWAYS WEAR PROTECTIVE GLASSES OR GOGGLES AND A MASK THAT COVERS THE FACE AND MOUTH. A drill is required for assembly to drill through metal trim. Fiberglass flat bar is pre-drilled and should not require any drilling.

INSPECTION

Every attempt is made to inspect product for any physical abnormalities prior to shipment. However, all products should be inspected for any visible defects prior to assembly. Do not assemble product of unacceptable or questionable quality. Irvin Steel will not be responsible for assembly or removal costs of unacceptable parts.

- 1) All Retropost parts included in the kit are below. Contents to include: 1 flatbar, 4 gripper rods - 2 at X size and 2 at X size, 2 non-threaded clips, 2 threaded clips, 12 yellow chromated j-bolts. Extension bar with adjuster, rivet gun and rivets are NOT included but are available.

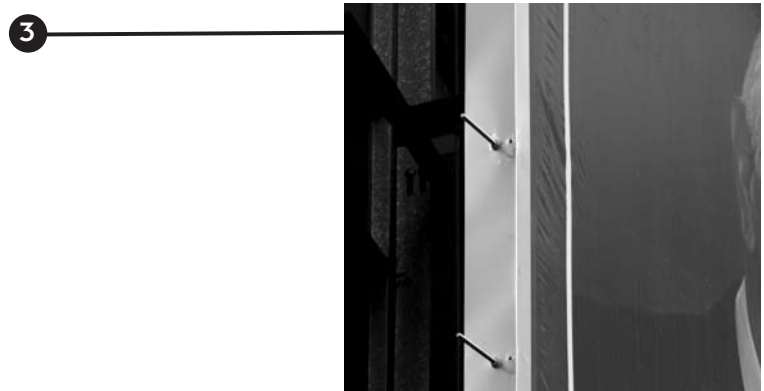


IRVIN STEEL
A Division of Irvin International Inc.

- 2) Start by loosening the j-bolts on the bottom of the trim. There are six j-bolts.



- 3) Next loosen the side bolts on the whatever side of trim they are showing. Side bar should be able to slide in and out once loose. There are four bolts. Unclip the four clips that are attached to the flat bar.



- 4) Now disconnect j-bolts along the bottom from substrate. Allow j-bolts to hang along the trim.



- 5) Go to the opposite side that has four stationary clips. Using your fiberglass extension pole with attachment, release the tension from the clips to the gripper rod at all four pressure points.



- 6) Next take out your two side gripper rods. Bottom and top stay in.



7) Now take your extension pole and release clips along the top. Start with the ends and then move inside.

8) Slowly drop substrate down to the catwalk.

9) Use existing straps to connect to new substrate and start in center to raise substrate using the extension pole and then move to the outside and clip to gripper rod.

10) Once the top is done, connect the left side of your substrate by inserting your side bar and connect clips. Connect clips using extension pole once more.

11) Move over to the right to adjust tension. Loosen up bolts as far as need be to allow for proper adjustment of substrate.

12) Tighten bolts along the right side until substrate is taught and even. Tighten center bolts up first before moving along to top and bottom bolts.

13) Tighten the j-bolts along the bottom to complete.

Product Warranty. THE COMPANY warrants that PURCHASER shall acquire PRODUCTS purchased hereunder free and clear of all liens and encumbrances. THIS CONSTITUTES THE SOLE WARRANTY MADE BY THE COMPANY EITHER EXPRESSED OR IMPLIED. THERE ARE NO OTHER WARRANTIES EXPRESSED OR IMPLIED WHICH EXTEND BEYOND THE FACE HEREOF, HEREIN, INCLUDING THE IMPLIED WARRANTIES OR MERCHANTABILITY AND FITNESS FOR A PARTICULAR PURPOSE. IN NO EVENT SHALL THE COMPANY BE LIABLE FOR ANY INCIDENTAL OR CONSEQUENTIAL DAMAGES AND DISTRIBUTOR'S REMEDIES SHALL BE LIMITED TO REPLACEMENT OF NONCOMFORMING PRODUCTS.

Limited Liability. NOTWITHSTANDING ANYTHING ELSE IN THIS AGREEMENT OR OTHERWISE, THE COMPANY WILL NOT BE LIABLE WITH RESPECT TO ANY SUBJECT MATTER OF THIS AGREEMENT UNDER ANY CONTRACT, NEGLIGENCE, STRICT LIABILITY OR OTHER LEGAL OR EQUITABLE THEORY FOR (1) ANY AMOUNTS IN EXCESS IN THE AGGREGATE OF THE AMOUNTS PAID TO THE COMPANY HEREUNDER DURING THE TWELVE MONTH PERIOD PRIOR TO DATE THE CAUSE OF ACTION AROSE OR (2) ANY INCIDENTAL OR CONSEQUENTIAL DAMAGES, LOST PROFITS OF LOST DATA OR (3) COST OF PROCUREMENT OF SUBSTITUTE GOODS, OR SERVICES. THE COMPANY SHALL HAVE NO LIABILITY FOR ANY FAILURE OF DELAY DUE TO MATTERS BEYOND ITS REASONABLE CONTROL.

Assembly Instructions. Failure to follow the current assembly instructions for RetroPost™ voids all warranties express or implied.



Irvin Steel Inc.
8105 Krauss Blvd.
Suite 102
Tampa, FL 33619

Ph: 1-800-474-7846
Local: (813) 664-8945
Fax: (813) 621-6897
Email: information@irvinsteel.com
Web: www.isioutdoor.com