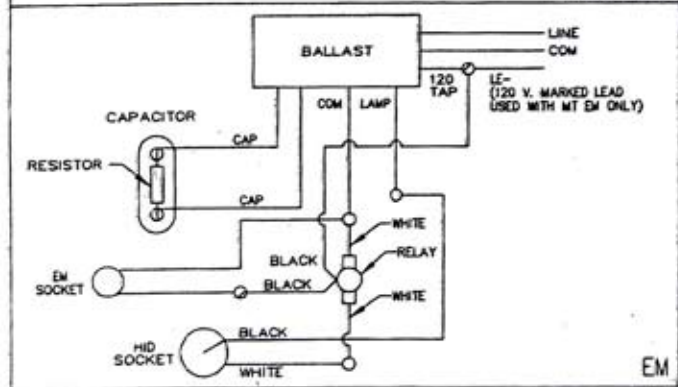


STANDARD



EM

NOTES:

1. LINE LEAD MAY BE INDIVIDUAL VOLTAGE OR INCLUDE 120 THROUGH 347 FOR MT/DT/VT BALLASTS.
2. HEAT SHRINK ALL LINE LEADS ON MT/DT/VT BALLASTS.
3. STRIP AND/OR HEAT SHRINK APPROPRIATE LEADS FOR NON-MT/DT/VT APPLICATIONS WHICH USE THE MT/DT/VT BALLAST.

(AB)

(AC)

(AD3)

175,250,400W MERC
 175,250,400,1000,1500W M.H.
 120V,208V,240V,277V,347V,480V,
 MT,DT,VT