

# Assembly Instructions for Mounting Fiberglass Panel

## PLEASE READ ALL INSTRUCTIONS BEFORE BEGINNING INSTALLATION

These guides are provided in good faith to help prevent assembly problems caused by common errors. The manufacturer and/or distributor of the product bear no responsibility for the assembly actions taken or not taken. These assembly guidelines are strictly recommendations and are not intended to serve as a step-by-step, foolproof checklist.

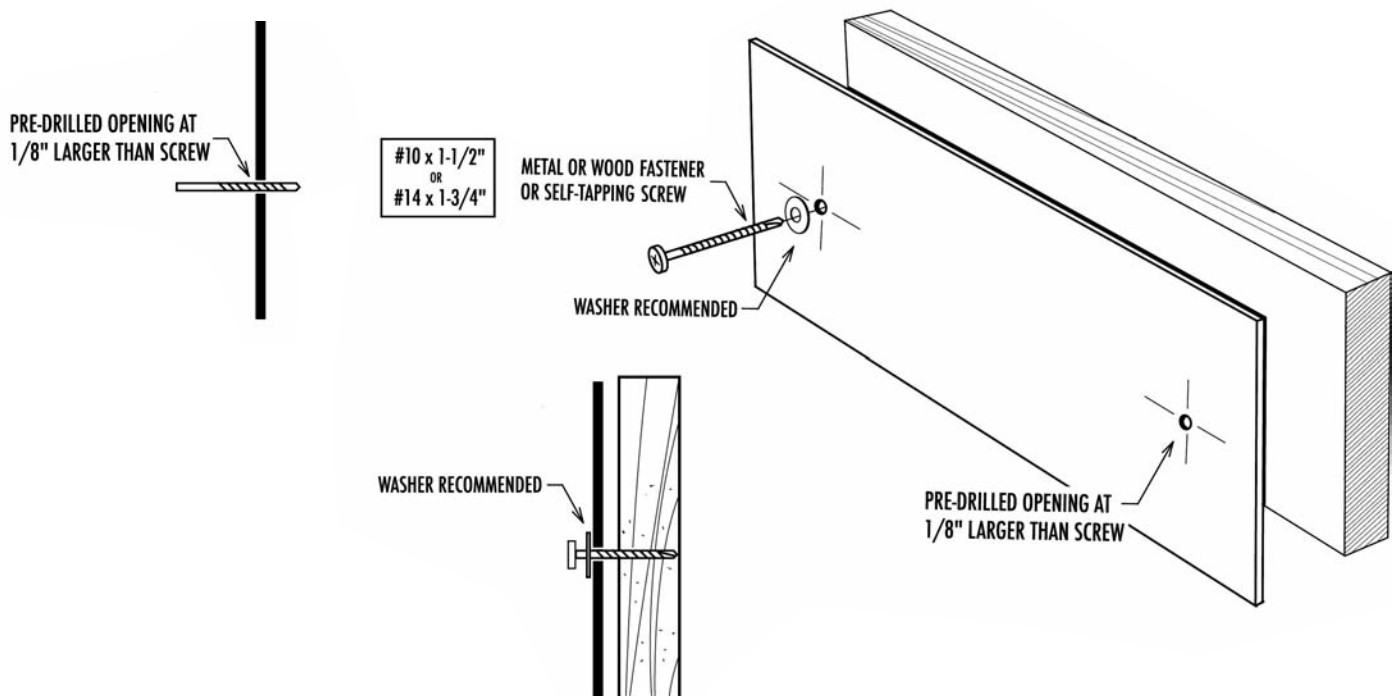


WHEN CUTTING OR DRILLING FIBERGLASS PRODUCTS, ALWAYS WEAR PROTECTIVE GLASSES OR GOGGLES AND A MASK THAT COVERS THE FACE AND MOUTH. Skin irritation due to glass fibers may be avoided by applying a barrier cream to exposed skin areas prior to working with fiberglass.



Pre-drill fiberglass panel separately to avoid cracking and buckling. Drill your hole 1/8" larger than the screw that will fasten your fiberglass panel to minimize splitting with contraction and expansion due to temperature fluctuation.

Pre-drilling into the fiberglass panel AND the substrate backing at the same time may cause the fiberglass panel to crack and buckle.



**Product Warranty.** THE COMPANY warrants that PURCHASER shall acquire PRODUCTS purchased hereunder free and clear of all liens and encumbrances. THIS CONSTITUTES THE SOLE WARRANTY MADE BY THE COMPANY EITHER EXPRESSED OR IMPLIED. THERE ARE NO OTHER WARRANTIES EXPRESSED OR IMPLIED WHICH EXTEND BEYOND THE FACE HEREOF, HEREIN, INCLUDING THE IMPLIED WARRANTIES OR MERCHANTABILITY AND FITNESS FOR A PARTICULAR PURPOSE. IN NO EVENT SHALL THE COMPANY BE LIABLE FOR ANY INCIDENTAL OR CONSEQUENTIAL DAMAGES AND DISTRIBUTOR'S REMEDIES SHALL BE LIMITED TO REPLACEMENT OF NONCONFORMING PRODUCTS.

**Limited Liability.** NOTWITHSTANDING ANYTHING ELSE IN THIS AGREEMENT OR OTHERWISE, THE COMPANY WILL NOT BE LIABLE WITH RESPECT TO ANY SUBJECT MATTER OF THIS AGREEMENT UNDER ANY CONTRACT, NEGLIGENCE, STRICT LIABILITY OR OTHER LEGAL OR EQUITABLE THEORY FOR (1) ANY AMOUNTS IN EXCESS IN THE AGGREGATE OF THE AMOUNTS PAID TO THE COMPANY HEREUNDER DURING THE TWELVE MONTH PERIOD PRIOR TO DATE THE CAUSE OF ACTION AROSE OR (2) ANY INCIDENTAL OR CONSEQUENTIAL DAMAGES, LOST PROFITS OF LOST DATA OR (3) COST OF PROCUREMENT OF SUBSTITUTE GOODS, OR SERVICES. THE COMPANY SHALL HAVE NO LIABILITY FOR ANY FAILURE OF DELAY DUE TO MATTERS BEYOND ITS REASONABLE CONTROL.

Assembly Instructions. Failure to follow the current assembly instructions for FiberSkirt™ voids all warranties express or implied.



Irvin Steel Inc. • 8105 Krauss Blvd., Suite 102 • Tampa, Florida 33619  
1-800-474-7846 • (813) 664-8945 • Fax (813) 621-6897 • [www.isioutdoor.com](http://www.isioutdoor.com)